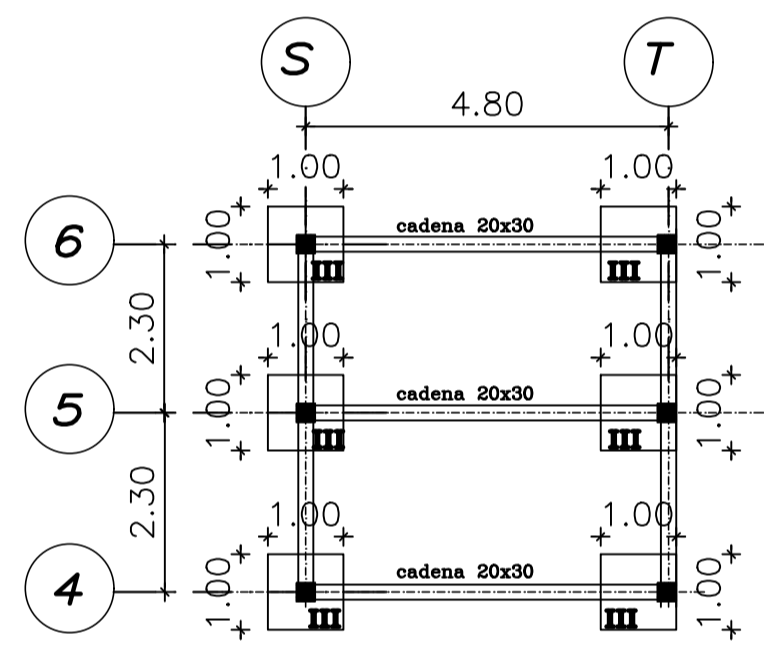


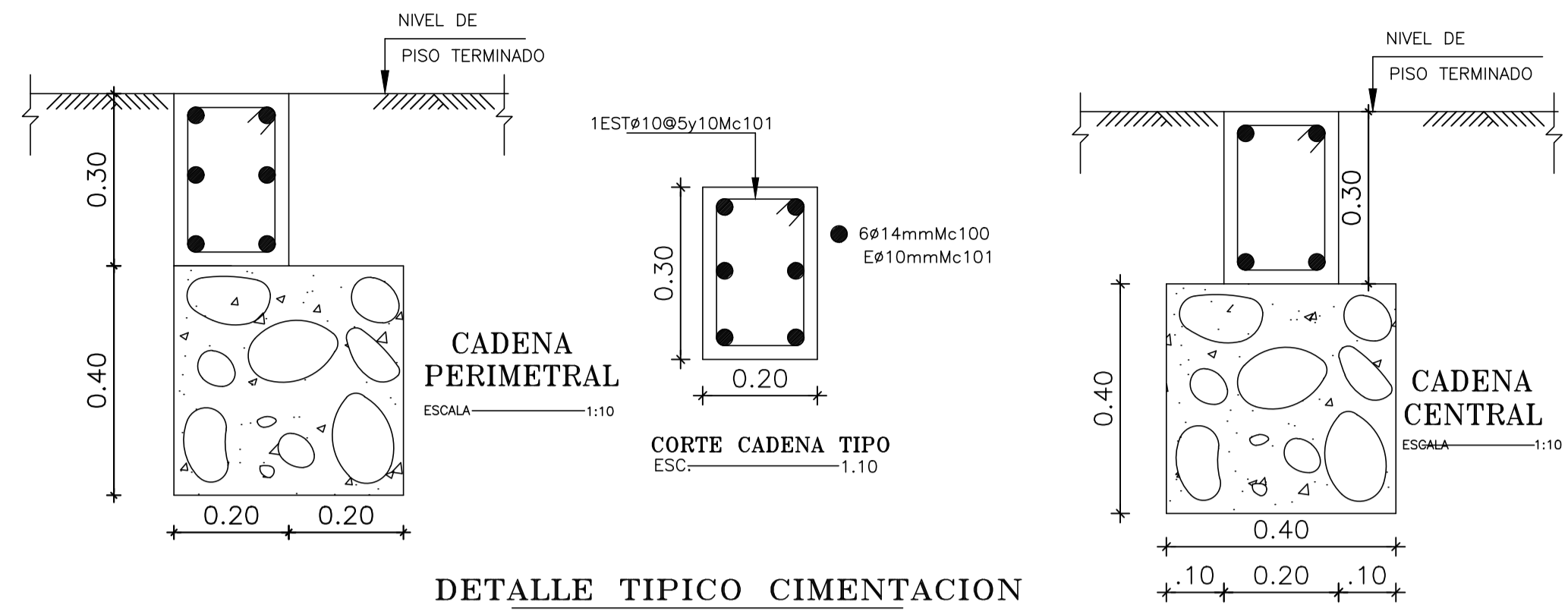
PLANTA DE CIMENTACION TIPO

ESCALA 1:100

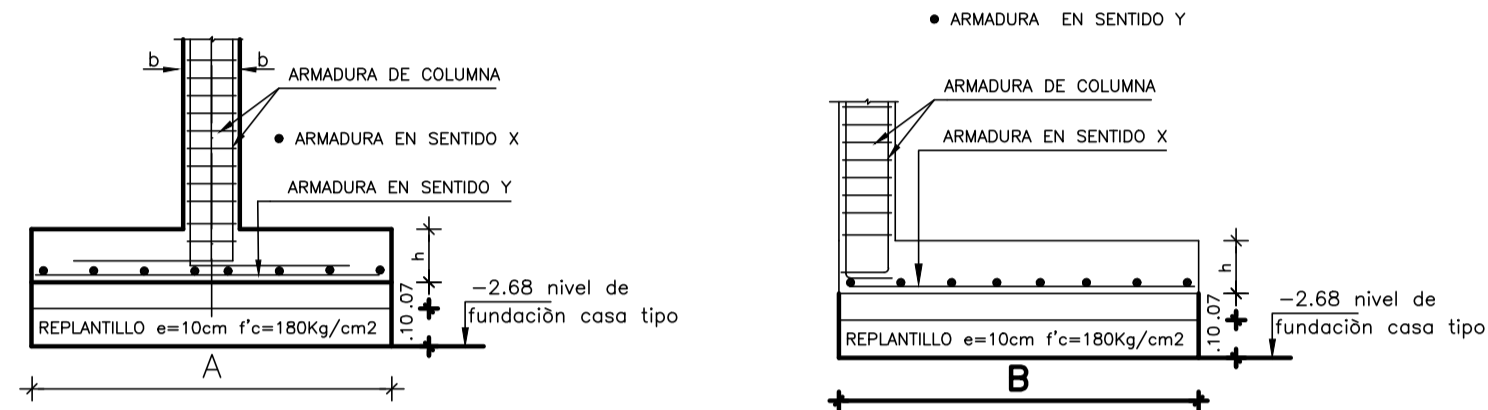


PLANTA DE CIMENTACION SALA COMUNAL

ESCALA 1:100

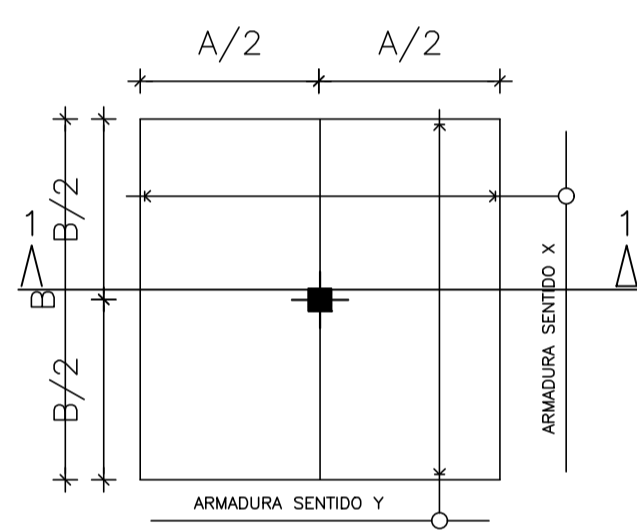


DETALLE TIPICO CIMENTACION

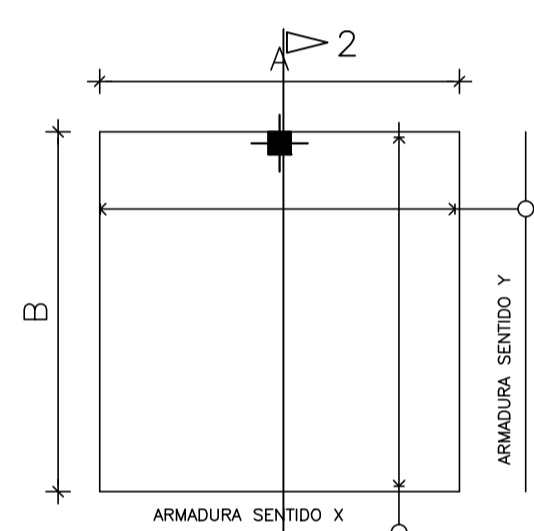


CORTE 1 - 1

CORTE 2 - 2



PLANTA PLINTO TIPO P1



PLINTO TIPO P2

| PLINTO | UBICACION                            | No. | DIMENSIONES |      |        | ARMADURA      |               |
|--------|--------------------------------------|-----|-------------|------|--------|---------------|---------------|
|        |                                      |     | A           | B    | H (cm) | SENTIDO X     | SENTIDO Y     |
| I      | E'1-F1G1-H1<br>I1-E'3-F3-G3<br>H3-I3 | 10  | 1.20        | 1.20 | 0.25   | 7#12@.20Mc120 | 7#12@.20Mc120 |
| II     | E'2-F2-G2-H2<br>I2                   | 5   | 1.50        | 1.50 | 0.30   | 9#12@.20Mc121 | 9#12@.20Mc121 |
| III    | S4-T4-S5-T5<br>S-T                   | 6   | 1.00        | 1.00 | 0.20   | 6#12@.20Mc122 | 2#12@.20Mc122 |

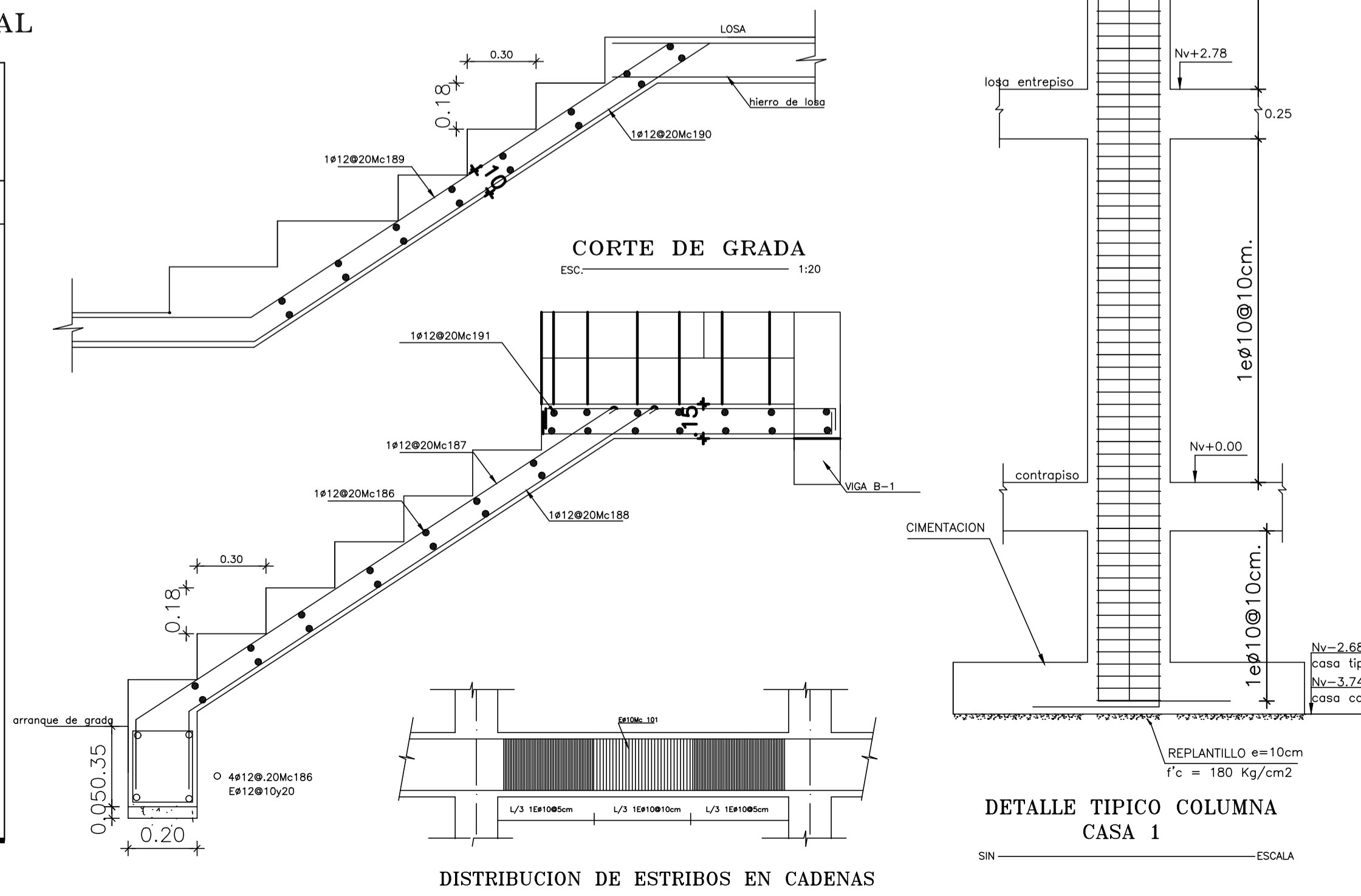
CUADRO DE PLINTOS

CUADRO DE COLUMNAS PLANTA TIPO

| COLUMNA | E'3-F3-G3-H3-I'3 | E'1-I'1 | E2-F2-H2-I'2 | F1-H1 | G1-G2 |
|---------|------------------|---------|--------------|-------|-------|
| NIVEL   | (5)              | (2)     | (4)          | (2)   | (2)   |
| N+6.10  |                  |         |              |       |       |
| N+5.65  |                  |         |              |       |       |
| N+5.35  |                  |         |              |       |       |
| N+5.15  |                  |         |              |       |       |
| N+4.68  |                  |         |              |       |       |
| N+1.78  | 0.30             | 0.30    | 0.30         | 0.30  | 0.30  |
| N-0.92  | 0.30             | 0.30    | 0.30         | 0.30  | 0.30  |
| N-1.28  | 0.30             | 0.30    | 0.30         | 0.30  | 0.30  |
| N-2.68  | 0.30             | 0.30    | 0.30         | 0.30  | 0.30  |

CUADRO DE COLUMNAS SALA COMUNAL

| COLUMNA | 6S-6T | 5S-5T | 4S-4T |
|---------|-------|-------|-------|
| NIVEL   | (2)   | (2)   | (2)   |
| N+1.16  |       |       |       |
| N+0.66  |       |       |       |
| N+0.16  |       |       |       |
| N-2.54  | 0.30  | 0.30  | 0.30  |
| N-3.74  | 0.30  | 0.30  | 0.30  |



DISTRIBUCION DE ESTRIBOS EN CADENAS

DETALLE TIPICO COLUMNA CASA 1

PLANILLA DE ACERO DE REFUERZO

| Mc.                   | #  | TIPO | No.  | DIMENSIONES (m) |        |      |   | L.P.  | L.D.    | PESO (kg) | OBSERVACIONES |
|-----------------------|----|------|------|-----------------|--------|------|---|-------|---------|-----------|---------------|
|                       |    |      |      | a               | b      | c    | d |       |         |           |               |
| CADENAS DE AMARRE     |    |      |      |                 |        |      |   |       |         |           |               |
| 100                   | 14 | I    | 6    | GLOBAL          |        |      |   | 87.60 | 525.72  |           |               |
| 101                   | 10 | O    | 1190 | 2X.25           | 2X.15  |      |   | 2X.10 | 1190.00 |           |               |
| PLINTOS               |    |      |      |                 |        |      |   |       |         |           |               |
| 120                   | 12 | I    | 140  | 1.15            |        |      |   | 1.15  | 161.00  |           |               |
| 121                   | 12 | I    | 90   | 1.45            |        |      |   | 1.45  | 130.50  |           |               |
| 122                   | 12 | I    | 36   | 0.95            |        |      |   | 0.95  | 34.20   |           |               |
| COLUMNAS TIPO         |    |      |      |                 |        |      |   |       |         |           |               |
| 140                   | 12 | Z    | 40   | 8.16            | 2X0.30 |      |   | 8.76  | 350.40  |           |               |
| 141                   | 12 | Z    | 16   | 8.43            | 2X0.30 |      |   | 9.03  | 144.48  |           |               |
| 142                   | 12 | Z    | 32   | 8.63            | 2X0.30 |      |   | 9.23  | 295.36  |           |               |
| 143                   | 12 | Z    | 16   | 8.93            | 2X0.30 |      |   | 9.53  | 152.48  |           |               |
| 144                   | 12 | Z    | 16   | 9.38            | 2X0.30 |      |   | 9.98  | 159.68  |           |               |
| 145                   | 10 | O    | 1185 | 2X.25           | 2X.25  |      |   | 2X.10 | 1185.00 |           |               |
| 146                   | 10 | O    | 2370 | 1X.25           |        |      |   | 2X.10 | 2370.00 |           |               |
| COLUMNAS SALA COMUNAL |    |      |      |                 |        |      |   |       |         |           |               |
| 150                   | 12 | Z    | 16   | 3.90            | 2X0.30 |      |   | 4.50  | 72.00   |           |               |
| 151                   | 12 | Z    | 16   | 4.40            | 2X0.30 |      |   | 5.00  | 80.00   |           |               |
| 152                   | 12 | Z    | 16   | 4.90            | 2X0.30 |      |   | 5.50  | 88.00   |           |               |
| 145                   | 10 | O    | 378  | 2X.25           | 2X.15  |      |   | 2X.10 | 378.00  |           |               |
| 146                   | 10 | O    | 756  | 1X.25           |        |      |   | 2X.10 | 756.00  |           |               |
| GRADA TIPO            |    |      |      |                 |        |      |   |       |         |           |               |
| 186                   | 12 | I    | 30   | 0.95            |        |      |   | 0.95  | 28.50   |           |               |
| 187                   | 12 | I    | 6    | 2.45            | 0.20   | 0.30 |   | 2.95  | 17.70   |           |               |
| 188                   | 12 | J    | 6    | 2.40            | 0.20   | 0.30 |   | 2.90  | 17.40   |           |               |
| 189                   | 12 | L    | 6    | 2.20            | 0.30   | 0.10 |   | 2.50  | 15.00   |           |               |
| 190                   | 12 | L    | 6    | 2.35            | 0.30   |      |   | 2.65  | 15.90   |           |               |
| 191                   | 12 | Z    | 7    | GR.             |        |      |   | 2.80  | 19.60   |           |               |

RESUMEN HIERROS TIPOS

| DIAM (mm) | 8    | 10   | 12  | 14 | 16 | 18 | 22 | 25 |
|-----------|------|------|-----|----|----|----|----|----|
| LDNG (cm) | 4472 | 2036 | 707 |    |    |    |    |    |
| PESO (Kg) | 2760 | 1808 | 854 |    |    |    |    |    |

RESUMEN MATERIALES

| ELEMENTO    | HORMIGON (m3) | ELEMENTO(bodega) | HORMIGON (m3) |
|-------------|---------------|------------------|---------------|
| CADENAS     | 3.60          |                  |               |
| PLINTOS     | 7.00          |                  |               |
| REPLANTILLO | 2.60          |                  |               |
| COLUMNAS    | 10.50         |                  |               |
| GRADAS      | 1.55          |                  |               |

HIERRO CIMENTACION+ COLUMNAS + GRADA (Kg)= 5422

ESPECIFICACIONES TECNICAS

NORMAS DE DISEÑO CEC INEN 2000

Capacidad portante del suelo 1.20Kg/cm2; ( se comprará en obra )

Nivel de cimentación -2.68m en casa tipo, -3.74m. en sala comunal

f'c = 140 Kg/cm2 ( replantillo ) , 180 Kg/cm2 ( n. ciclopeo), 210 Kg/cm2 (estructura)

fy = 4200 Kg/cm2, fy = 2400 Kg/cm2

Troslopes 40 # del As principal

SELLAS MUNICIPALES

PROYECTO "BLUE WATER"

CONTIENE: CIMENTACION - CUADRO DE COLUMNAS - DETALLES

|  |  |
|--|--|
| DISEÑO ESTRUCTURAL:<br>ING. JUAN GABRIEL CAILLAGA CASTRO<br>CC:172272150-1 SENECYT 10052019-2113209<br>C. CATASTRAL: 16313 08 012<br>Nº PREDIO: 571971 | PROPIETARIO:<br>SR. LUCIO ERNESTO LARA VILLACIS<br>CI: 1705691572<br>APODERADO:<br>SR. EFRAIN PATRICIO LARA VILLACIS<br>CI: 1708751639 |
| ESCALA:<br>INDICADAS   | FECHA:<br>OCTUBRE 2022   |
| DIBUJO:<br>INDICADAS   | LAMINA:<br><b>E-1</b>  |